

Data Sheet

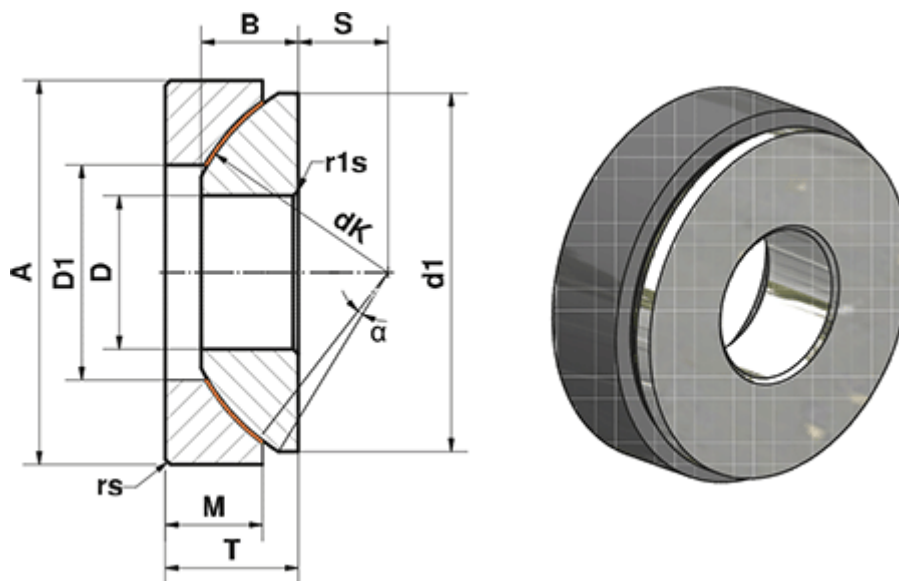


Article number: 03450017

Description: Fluro Heavy Duty Spherical Plain Bearing GE 17 AWE
Hole \varnothing 17

Note: 17

Measures



A	= 47	M	= 11.2
a (degrees)	= 4	rs, r1s min	= 0.6
B	= 11.8	S	= 11
D	= 17	Static load C0 (kN)	= 350
D1	= 28.5	T	= 16
d1 min	= 43.5	Weight (g)	= 137
dK	= 52		
Dynamic load C (kN)	= 210		